

OPERATION MANUAL

5.3 OPTIONAL ACCESSORIES

HAFCO WOODMASTER has a range of sanding sleeves available for this machine. To arrange your order contact your local dealer with your order or purchase online at

www.machineryhouse.com.au

www.machineryhouse.co.nz

Code	Size	Grit
A8110	1/2"x115	80
A8112	1/2"x115	120
A8114	3/4"x115	80
A8116	3/4"x115	120
A8118	1" x 115	80
A8120	1" x 115	120
A8122	1-1/2"x 115	80
A8124	1-1/2"x 115	120
A8130	2" x 140	80
A8132	2" x 140	120

Sanding sleeves are supplied in a pack of 3

SPARE PARTS SECTION

The following section covers the spare parts diagrams and lists that were current at the time this manual was originally printed. Due to continuous improvements of the machine, changes may be made at any time without notification.

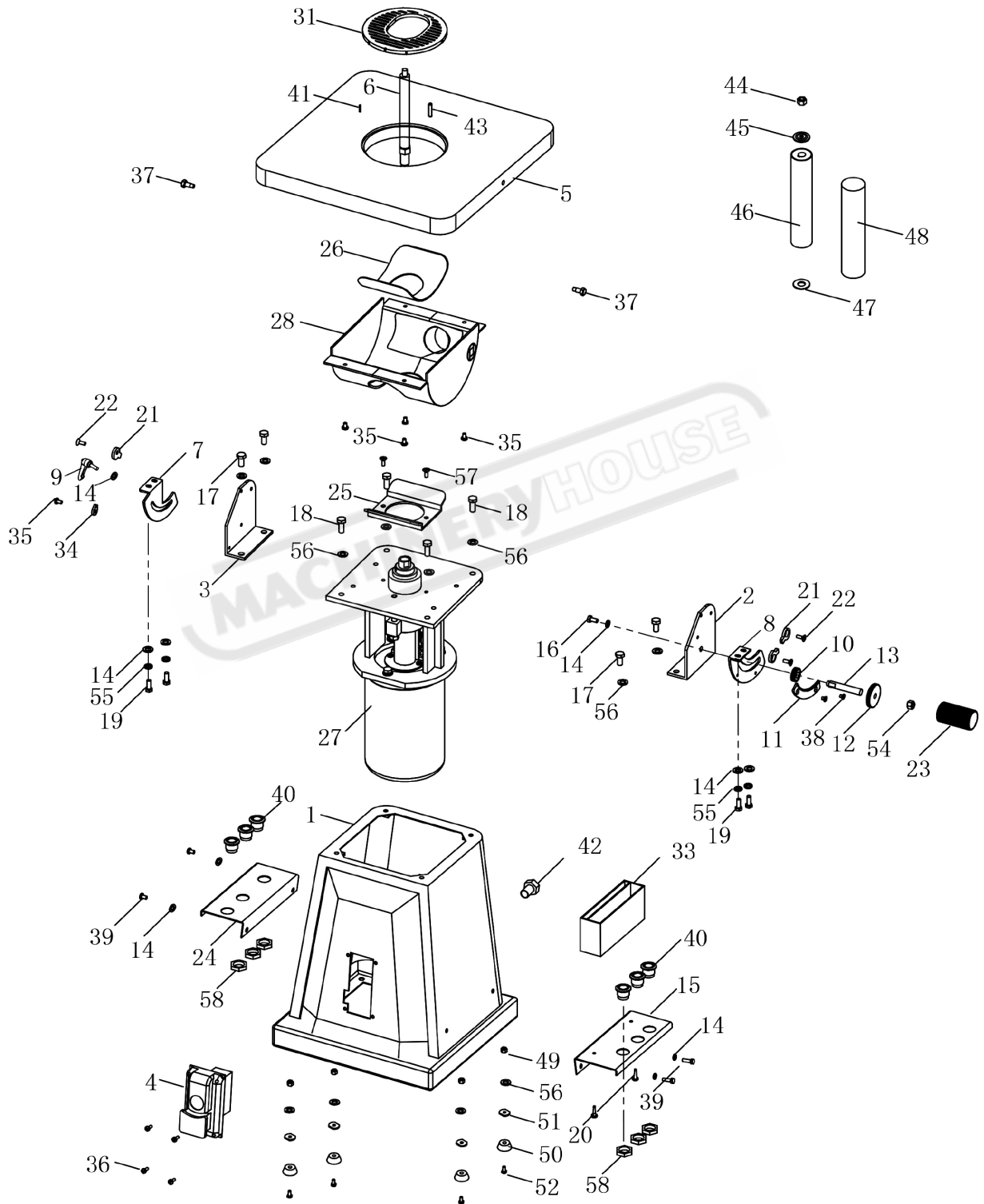
HOW TO ORDER SPARE PARTS

1. Have your machines **model number, serial number & date of manufacture** on hand, these can be found on the specification plate mounted on the machine
2. A scanned copy of your parts list/diagram with required spare part/s identified
3. Go to www.machineryhouse.com.au/contactus and fill out the enquiry form attaching a copy of scanned parts list.



OPERATION MANUAL

SPARE PARTS DIAGRAM A

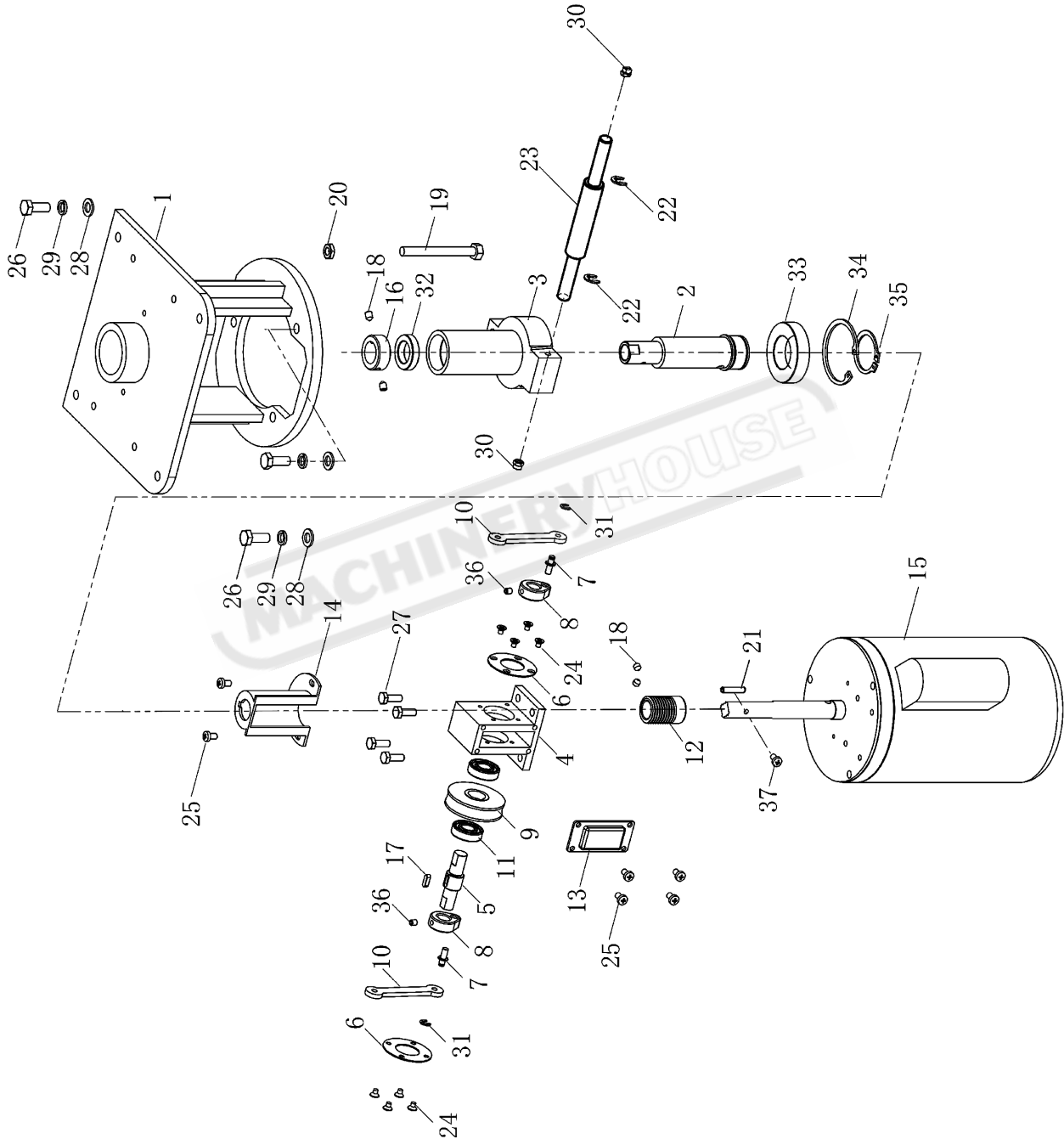


OPERATION MANUAL

SPARE PARTS LIST DIAGRAM A

Key No.	Description	Part No.	Key No.	Description	Part No.
1A	Machine body	P50-300-1A	31A	Table insert	P50-300-31A
2A	Worktable bracket	P50-300-2A	33A	Tool holder for table inserts	P50-300-33A
3A	Worktable bracket	P50-300-3A	34A	Dial indicator	P50-300-34A
4A	Switch	P50-300-4A	35A	Pan head screws M5x8	P50-300-35A
5A	Work table	P50-300-5A	36A	Pan head screws M4x12	P50-300-36A
6A	Connection rod	P50-300-6A	37A	Stepped bolt	P50-300-37A
7A	Rotation bracket of table (Left)	P50-300-7A	38A	Countersunk screws M5x6	P50-300-38A
8A	Rotation bracket of table (Right)	P50-300-8A	39A	Hex bolt M6x12	P50-300-39A
9A	Ratchet level	P50-300-9A	40A	Cone sleeve	P50-300-40A
10A	Small gear	P50-300-10A	41A	Spring pin 2.5x20	P50-300-41A
11A	Rack	P50-300-11A	42A	Cable strain relief M18	P50-300-42A
12A	Locking ring	P50-300-12A	43A	Key 5x50	P50-300-43A
13A	Rotating shaft	P50-300-13A	44A	Left-handed nut M10	P50-300-44A
14A	Washer 6	P50-300-14A	45A	Convex washer	P50-300-45A
15A	Right hand drum frame	P50-300-15A	46A	Rubber sleeve	P50-300-46A
16A	Hex bolt M6x12	P50-300-16A	47A	Washer	P50-300-47A
17A	Hex bolt M8x16	P50-300-17A	48A	Sanding sleeve	P50-300-48A
18A	Hex bolt M8x20	P50-300-18A	49A	Hex nut M8	P50-300-49A
19A	Hex bolt M6x16	P50-300-19A	50A	Rubber washer	P50-300-50A
20A	Tapping screws ST4.0x10	P50-300-20A	51A	Nut washer	P50-300-51A
21A	Eccentric cam	P50-300-21A	52A	Hex bolt M8x25	P50-300-52A
22A	Countersunk screws M6x12	P50-300-22A	54A	Hex nut M10	P50-300-54A
23A	Rotation handle	P50-300-23A	55A	Spring washer 6	P50-300-55A
24A	Tool holder for sanding drums	P50-300-24A	56A	Washer 8	P50-300-56A
25A	Fixed section	P50-300-25A	57A	Pan head screws M6x12	P50-300-57A
26A	Movable section	P50-300-26A	58A	Cone sleeve nut	P50-300-58A
27A	Oscillation assembly	P50-300-27A			
28A	Dust extraction housing/port	P50-300-28A			

SPARE PARTS DIAGRAM B



OPERATION MANUAL

SPARE PARTS LIST DIAGRAM B

Key No.	Description	Part No.	Key No.	Description	Part No.
1B	Motor base	P50-300-1B	20B	Hex thin nut M8	P50-300-20B
2B	Spindle bushing & plastic insert	P50-300-2B	21B	Key 5x5x50	P50-300-21B
3B	Guide column	P50-300-3B	22B	E-clip 6mm	P50-300-22B
4B	Worm wheel frame	P50-300-4B	23B	Connecting rod axle	P50-300-23B
5B	Worm wheel spindle	P50-300-5B	24B	Countersunk screw M4x6	P50-300-24B
6B	Bearing gland	P50-300-6B	25B	Pan head screw M5x8	P50-300-25B
7B	Crank axle	P50-300-7B	26B	Hex bolt M8x20	P50-300-26B
8B	Crank	P50-300-8B	27B	Hex bolt M6x16	P50-300-27B
9B	Worm wheel	P50-300-9B	28B	Washer 8	P50-300-28B
10B	Connection rod	P50-300-10B	29B	Spring washer 8	P50-300-29B
11B	Bearing 6001-2RS	P50-300-11B	30B	Self-locking nut M5	P50-300-30B
12B	Worm gear	P50-300-12B	31B	E-clip 4mm	P50-300-31B
13B	Cover, worm wheel frame	P50-300-13B	32B	Bearing 61804	P50-300-32B
14B	Plastic housing for worm gear	P50-300-14B	33B	Bearing 6006	P50-300-33B
15B	Motor	P50-300-15B	34B	Inner circlip 55mm	P50-300-34B
16B	Bearing cover	P50-300-16B	35B	External circlip 30mm	P50-300-35B
17B	Key 4x4x12	P50-300-17B	36B	Socket head screw M5x6	P50-300-36B
18B	Hex set screw with flat M6x6	P50-300-18B	37B	Pan head screw M4x12	P50-300-37B
19B	Hex bolt M8x75	P50-300-19B			